



G5ANT-3XMX ANTENNA FAMILY

Penta-Band GNSS FRPA with Internal Magnetic Mount

The G5Ant-3XMX is a multi-frequency antenna for assured Global Navigation Satellite Signal (GNSS) signal reception. This G5 antenna operates across five frequency bands and includes support for GLONASS L1, GPS L1 plus E1 Galileo, L-Band plus E6 Galileo and B1 BeiDou, L2 GLONASS and L2 GPS plus B2 BeiDou. This product family is designed to the standard Fixed Reception Pattern Antenna (FRPA) mounting footprint and includes magnets recess mounted into its baseplate for easy installation and testing.

The product family is offered in passive and active (amplified) configurations. The active configurations offer 2-stage integrated bandpass filtering for high out-of-band rejection and limiter diodes to protect sensitive receiver electronics. The passive configurations are best suited to applications where the antenna is located close to the GNSS receiver and offers the lowest insertion loss to minimize the noise figure of your system.

Antcom can customize this product family to meet your specific requirements. Please contact us for more information about customization options.

BENEFITS

- Easy integration and testing with FRPA footprint, magnetic mount antenna
- Quad-constellation coverage across upper & lower bands for assured GNSS reception
- L-Band support for correction services for high GNSS accuracy

FEATURES

- GPS, Galileo, GLONASS, BeiDou and L-Band reception
- FRPA footprint with thru-hole mount
- Recessed magnets for magnetic mount
- Passive or active (amplified) configurations available
- Active configurations offer 2-stage integrated bandpass filtering with diode limiters
- Connector options available
- Paint color options available



OPTIONS

COLOR	<ul style="list-style-type: none">• Gloss White• Lusterless Gray• Camo Green• Lusterless Black• Tan
CONNECTOR	<ul style="list-style-type: none">• S: SMA; B: BNC• M: MCX; MM: MMCX• N: N, NB: N-Bulkhead• T: TNC, TB: TNC-Bulkhead
LNA GAIN	<ul style="list-style-type: none">• With 33 dB LNA• With 40 dB LNA• Without LNA

ELECTRICAL

Frequency Range:	
L2 GPS B2 BeiDou	1227.60 ± 12 MHz 1207.14-1217.14 MHz
L2 GLONASS	1252.50 ± 7.5 MHz
L-Band E6 Galileo B1 BeiDou	1545 -1610 MHz 1561.098 ± 10 MHz 1561.098 ± 10 MHz
L1 GPS E1 Galileo	1575.42 ± 15.0 MHz 1575.42 ± 17.0 MHz
L1 GLONASS	1609 ± 7.0 MHz
VSWR	<2.0:1
Impedance	50 ohms
Polarization	RHCP

MECHANICAL & ENVIRONMENTAL

Designed to:

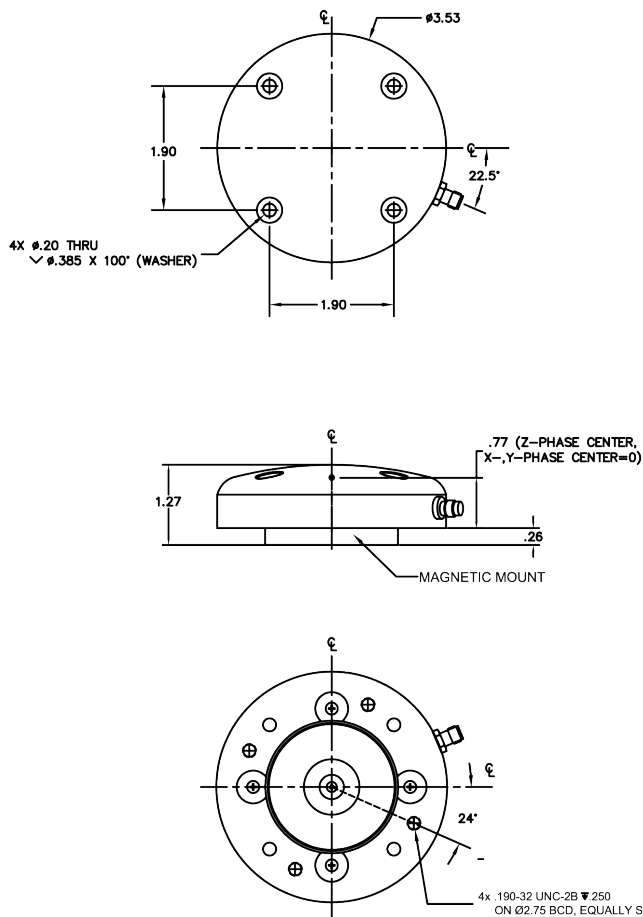
Weight	12.4 oz
Temperature	-55°C TO +85°C
Altitude	70,000 ft
Vibration	>30 Grms

TYPICAL LNA PERFORMANCE

LNA Gain	See Options Table
LNA Noise Figure	3.5 dB
LNA P1dB Out	+13 dBm
LNA DC Power	(3.8 - 15) V <70 mA

LIMITING & FILTERING

Power Handling	1 Watt CW
-----------------------	-----------



PART NUMBER DECODER

G5Ant-3XMXX

LNA Gain
 A = With 33dB LNA
 A4 = With 40dB LNA
 P = Without LNA

Color (PER AMS-STD-595)
 1 = Gloss White #17925
 2 = Lusterless Gray #36320
 3 = Camo Green #34094
 4 = Lusterless Black #37038
 5 = Tan #33446

Connector
 S = SMA; B = BNC
 M = MCX; MM = MMCX
 N = N, NB: N-Bulkhead
 T = TNC, TB: TNC-Bulkhead

CONTACT ANTCOM

Phone: +1-310-782-1076
 Fax: +1-310-782-1086
 Email: sales.pi.antcom@antcom.com
 Web: antcom.com

