



G3ANT-2A196MNS-4 ANTENNA

Magnetic Mount GNSS Antenna with Cable

The G3Ant-2A196MNS-4 antenna is a small-footprint, magnetic-mount antenna that provides assured Global Navigation Satellite Signal (GNSS) signal reception. The Antcom “G3” antenna operates in three frequency bands and includes support for GLONASS L1, GPS L1 and L-Band. Magnetic mount features and an integrated RF cable allows for easy installation and connection to your system.

The antenna is available in active (amplified) configurations. The active configurations offer 2-stage integrated bandpass filtering for high out-of-band rejection and limiter diodes to protect sensitive receiver electronics.

Antcom can customize this product family to meet your specific requirements. Please contact us for more information about customization options.

BENEFITS

- Rugged GNSS antenna for assured position, navigation, and timing
- Easy installation and systems integration

FEATURES

- Receives GPS L1, GLONASS L1, and L-Band
- Magnetic mount
- Integrated RF cable for RF output and DC power input
- Active (amplified) configurations available
- Connector options available
- Paint color options available



OPTIONS

- | | |
|-----------|--|
| COLOR | <ul style="list-style-type: none">• Gloss White• Lusterless Gray• Camo Green• Lusterless Black• Desert Tan |
| CONNECTOR | <ul style="list-style-type: none">• S: SMA; B: BNC• M: MCX; MM: MMCX• N: N; NB:N-Bulkhead• T, TNC: TB; TNC-Bulkhead |
| LNA GAIN | <ul style="list-style-type: none">• With 33 dB LNA• With 20 dB LNA• With 40 dB LNA |

ELECTRICAL

| | |
|------------------|-------------------|
| Frequency Range: | |
| L-Band | 1545 - 1610 MHz |
| B1 BeiDou | 1561.098 ± 10 MHz |
| L1 GPS | 1575.42 ± 12 MHz |
| E1 Galileo | 1575.42 ± 17 MHz |
| L1 GLONASS | 1609 ± 7.0MHz |
| VSWR | <2.0:1 |
| Impedance | 50 ohms |
| Polarization | RHCP |

MECHANICAL & ENVIRONMENTAL

Designed to:

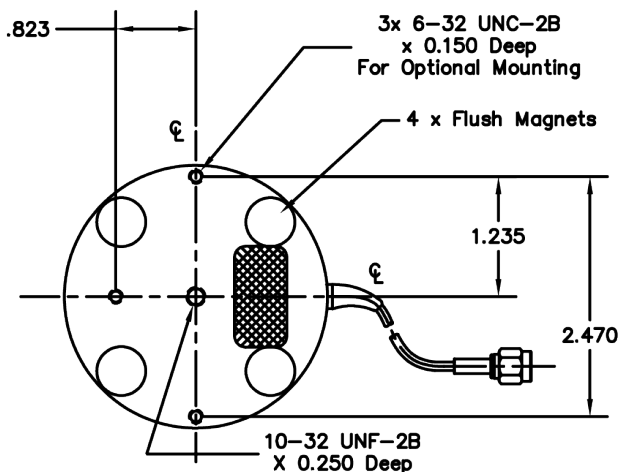
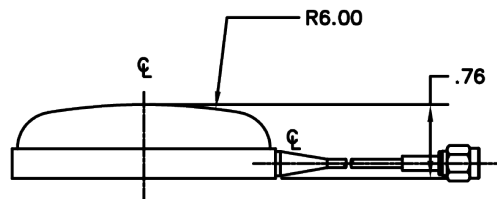
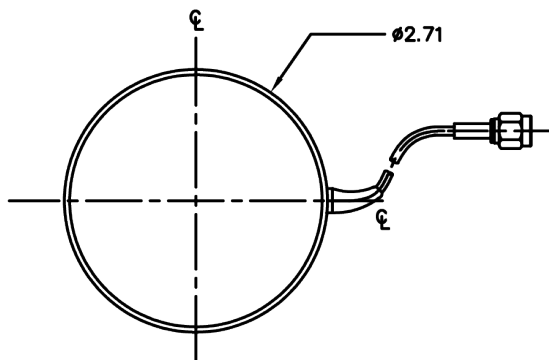
| | |
|-------------|----------------|
| Weight | 8.2 oz |
| Temperature | -55°C TO +85°C |
| Altitude | 70,000 ft |
| Vibration | > 30 Grms |

TYPICAL LNA PERFORMANCE

| | |
|------------------|------------------------|
| LNA Gain | See Options Table |
| LNA Noise Figure | 3.5 dB |
| LNA P1dB Out | +13 dBm |
| LNA DC Power | (3.8 - 15) V <70 mA |

LIMITING & FILTERING

| | |
|----------------|-----------|
| Power Handling | 1 Watt CW |
|----------------|-----------|



CONTACT ANTCOM

Phone: +1-310-782-1076
 Fax: +1-310-782-1086
 Email: sales.pi.antcom@antcom.com
 Web: antcom.com

